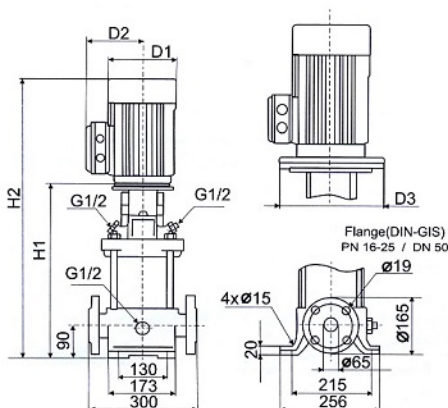


Vertical Multistage Centrifugal in - line Pump

Dimensions and weights - PCR 15



General Specification

Output size:	25 to 125 mm
Capacity:	0.7-180 m ³ /hr
Head:	275 m
Operation Temperature:	-15 to +120
Main Connection (1-[v/Hz]):	220-240 V, 50 Hz
Main Connection (3-[v/Hz]):	380-415 V, 50 Hz
Insulation Class:	F
Enclosure Class:	IP 55
Ambient Temperature:	50°C

Pump type	Motor		Pump Flanges (mm)	PCR					Net weight (kg)
	P [kW]	rpm		Dimension(mm)					
				DIN flange		D1	D2	D3	DIN flange
PCR 15-1	1.1	2900	50	400	635	141	115		43.8
PCR 15-2	2.2			415	706	177	141	-	55.7
PCR 15-3	3			465	781	197	147	-	64.9
PCR 15-4	4			510	836	220	161	-	69.7
PCR 15-5	4			555	881	220	161	-	71.2
PCR 15-6	5.5			632	994	235	197	300	102.3
PCR 15-7	5.5			677	1039	235	197	300	103.8
PCR 15-8	7.5			722	1120	235	197	300	111.8
PCR 15-9	7.5			767	1165	235	197	300	113.3
PCR 15-10	11			889	1394	318	154	300	150.0
PCR 15-12	11			979	1484	318	154	300	153.0
PCR 15-14	11			1069	1574	318	154	300	156.3
PCR 15-17	15			1204	1714	318	154	300	171.5